

- Flat Cable Connectors SEK
- *har-mik®*
- D-Sub
- InduCom

Applications



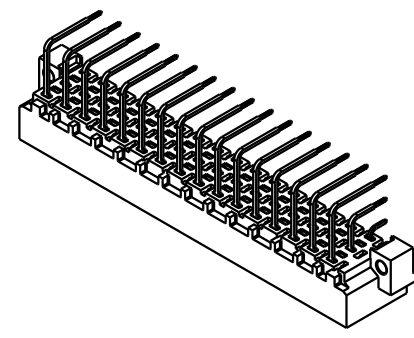
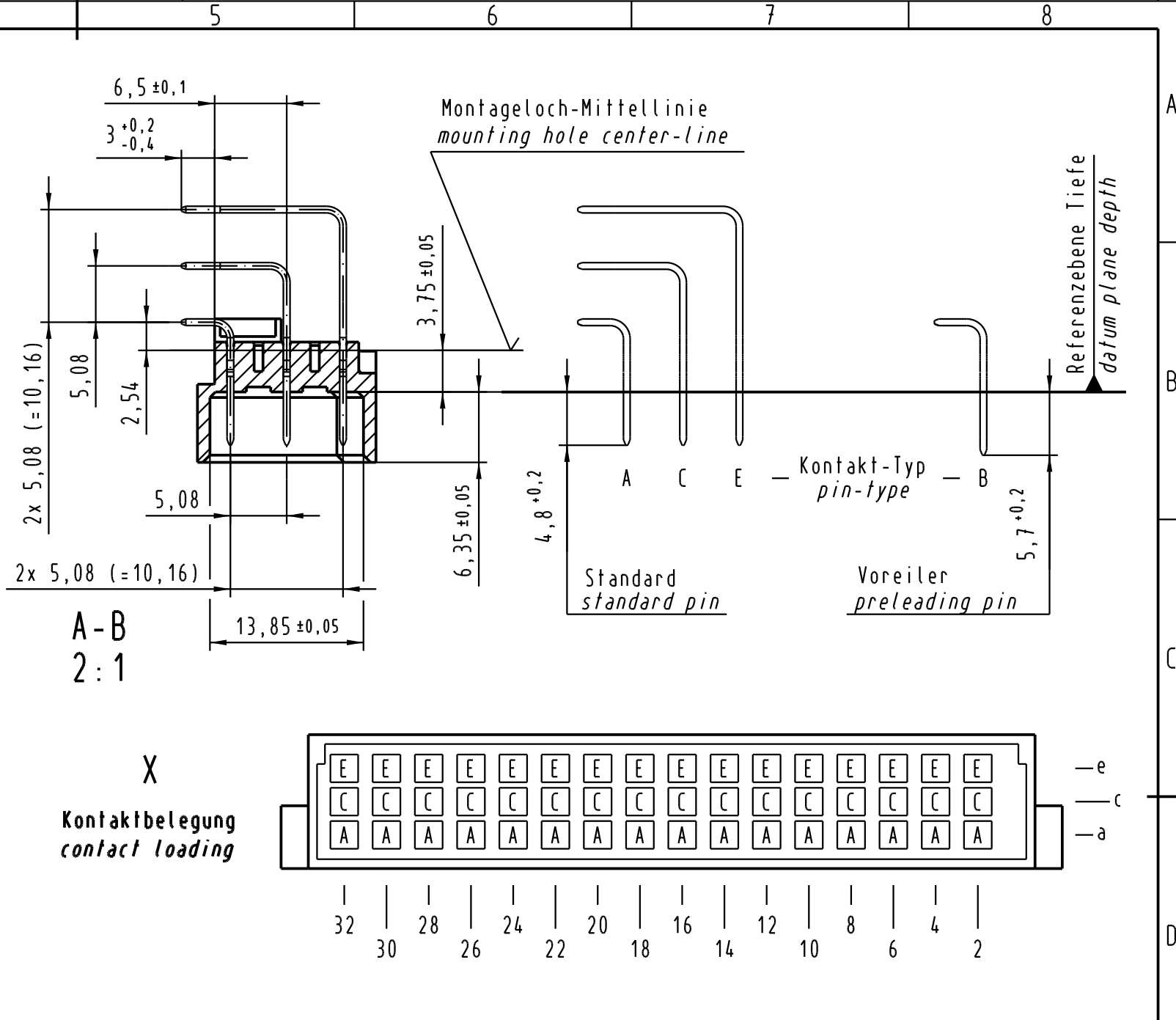
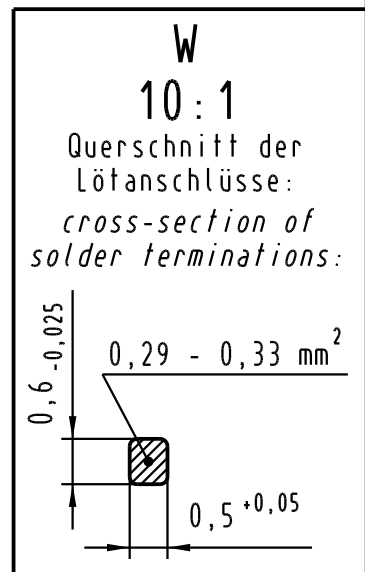
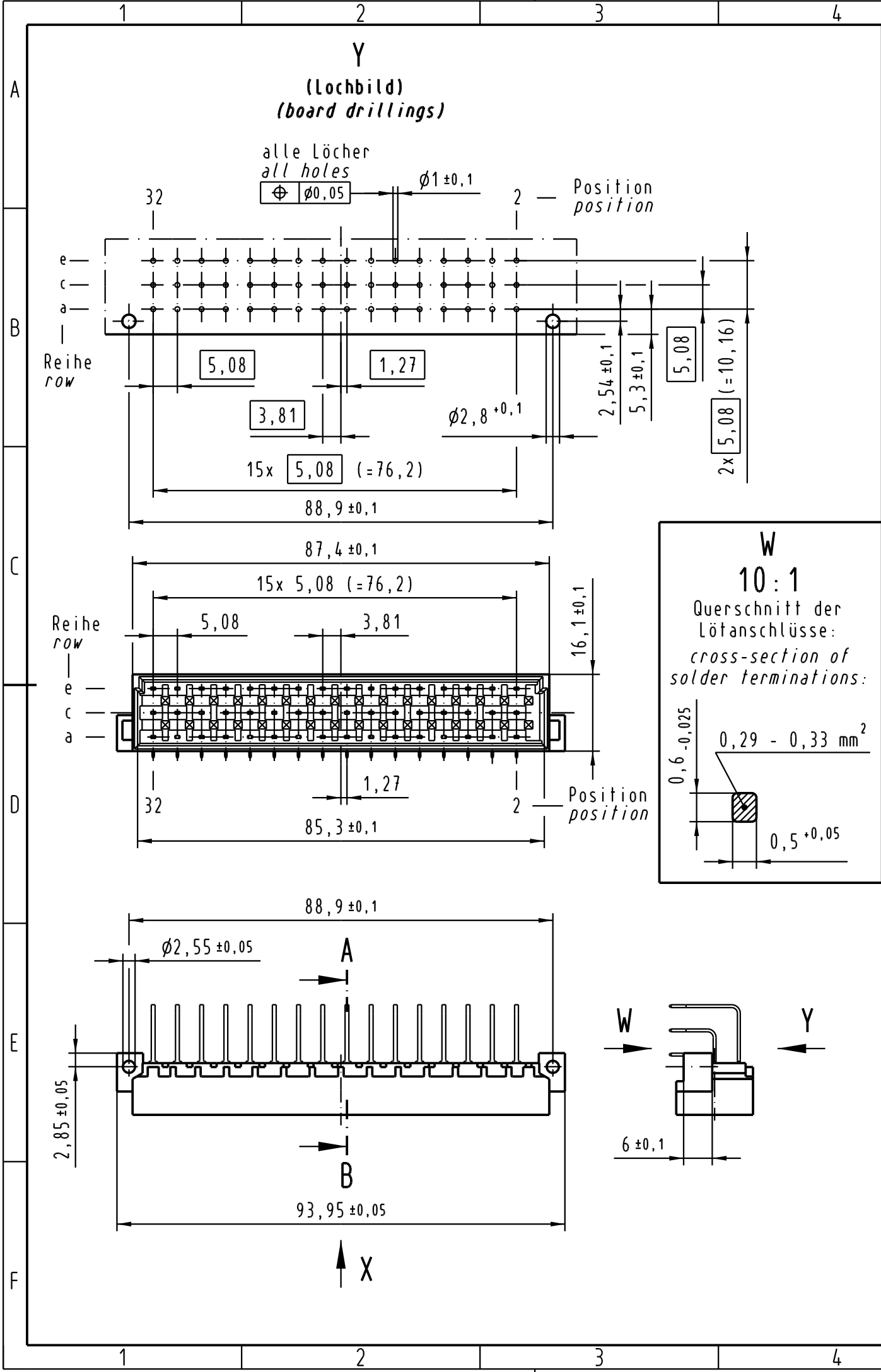
Product details

09 05 148 6921

Printed board connector

Type	Type E
Standard/Inverse	Standard
Contact gender	Male contacts
Size	Whole size
Number of contacts	48 poles
Contact arrangement	Rows a, c and e
Termination	Angled solder pins
Termination length	3.0 mm
First mating contact	without first mating contacts
Performance Class	Performance level 2 as per IEC 60603-2
Contacts	with contacts
Row pitch	5.08 mm
Board fixing	Without fixing
Coding facility	without coding facility
Current	6 A max.
Clearance/ Creepage	3,0 / 3,0 mm min
RoHS compliant	Yes

Alle Rechte vorbehalten/ All rights reserved



09 05 148 7921	3	Au über/over Ni
09 05 148 6921	2	Au über/over Ni
09 05 148 2921	1	Au über/over Ni
Bestell-Nr. part-no.	Anforderungsstufe nach IEC performance level acc. to IEC	Kontaktoberfläche contact plating

All Dimensions in mm Original Size DIN A 3			Techn. Character. IEC 60603-2		Nicht tolerierte Maß Free size tolerances IEC 60603-2	
			Dat. Name Maßstab/Scale		Bauform / type E Messerleiste Einlöt gewinkelt 5,08 48pol. male connector solder angled 5,08 48pol.	
			1:1 2:1			
			Detail. 01.12.04 Hage. Insp. 01.12.04 kfoe. Stand.			
32547	07.02.05	Hage.	HARTING Electronics GmbH & Co. KG D-32339 ESPELKAMP		TB 09 05 148 x921 Blatt/page	
31006					Sub.	
Mod.	Dat.	Name				